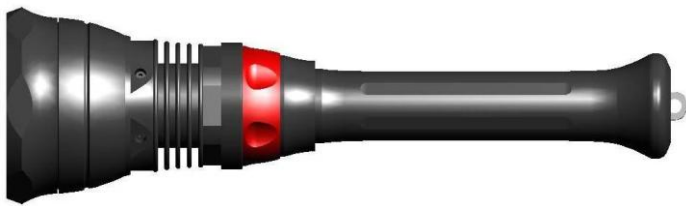


Swiss + Licht AG develops mobile flashlights and searchlights for deployment in situations with highest requirements in regard to illumination, mobility and simplest handling. A combination of functional solutions and technical components with extraordinary features make the **swisslicht SL1** one of the **most powerful searchlights** on the market.



The **swisslicht SL1** is a reliable ally for rapid and safe illumination under extreme difficult conditions. The swisslicht SL1 is designed for missions in which a single person or a group of people are in an immediate need to have the **best illumination possible**, without deployment of fixed lighting equipment and without access to mobile generators or mains current.

The **swisslicht SL1** is suited for tasks where **safety, protection and rescue** are of highest importance. It serves industries, authorities and organisations with safety tasks as well as military and civil organisation charged with protection and rescue. It is very easy to handle, extremely robust and durable.

Illumination and life span achieve **technical peak values**.

Wide operational area:

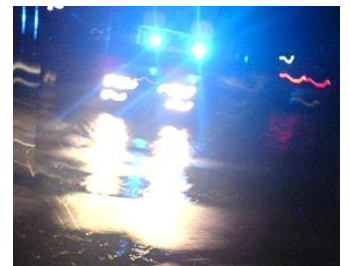
- Security Service: **„nothing remains invisible“**
- Construction: **„light for the job“**
- Natural Disasters: **„mains current is unavailable“**
- Search & Rescue: **„immediate light on the spot“**
- Safety: **„see and be seen“**

The **swisslicht SL1** has just one single goal: **Light, very much light where it was dark!** It can be handled like a large flashlight with a single hand and it's well suited for search over a long distance as well as for an immediate brightest illumination of a workplace or a mobile working location. Two light intensity settings offer the choice between brightest light and longest duration.

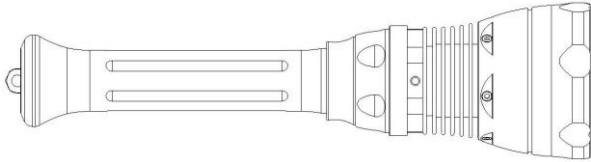
The **swisslicht SL1** is designed for high robustness. Construction and surface of the body allow operations in a multitude of environments. The aluminium and polyamide body offer a low weight. The SL1 is watertight and dust-proof meeting the IP68 standard, it is also very resistant to impacts and temperature shocks. An HID-Lamp generates light; as it does not work with a filament the lamp is highly robust against mechanical shocks.

The borosilicate front lens offers superior protection, a high light transmittance and can sustain a rapid temperature change from immersion in water.

The **swisslicht SL1** generated light has a colour temperature of 4100 Kelvin, similar to daylight. A large range of filters (IR, UV, diffusion, etc.) enhances its operational area. The light beam can be focused between 3 and 30 degrees. According to need a focused beam will illuminate targets far away; flood light will illuminate working spaces. The lamp can be safely switched on/off any time.

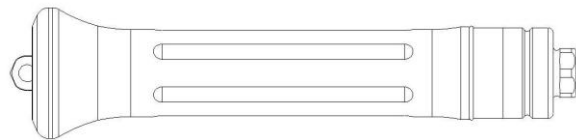


Technical Data **swisslicht SL1:**



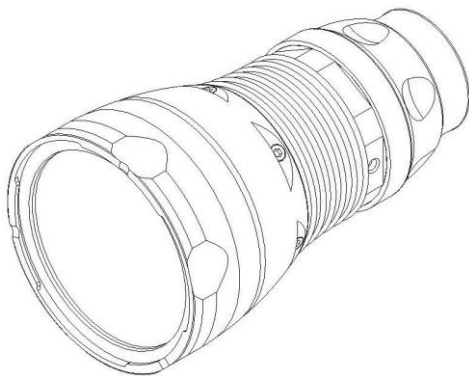
Searchlight:

Length:	485 mm
Diameter:	128 mm
Weight:	2650 g
Standard	IP 68 (30m)
Light:	HID Bulb
Consumption	35 Watt or 25 Watt
Colour Temperature	4100 K



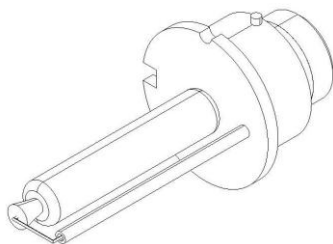
Rechargeable Li-Ion Battery:

Length:	327 mm
Diameter:	50 mm
Weight:	1100 g
Charging Time 80%:	2:00 h
Charging Time 100%:	4:00 h
Working at 35 Watt:	2:30 h
Working at 25 Watt:	4:00 h
Loading Cycles:	>1000
Self discharge:	< 3% / Month



Lamp Head:

Length:	220 mm
Diameter:	140 mm
Weight:	1550 g
Front lens:	Borofloat, non-reflecting
Thickness:	3.8 mm
Mirror:	Aluminium metallised
Aperture:	105 mm
Filter socket:	Bayonet



Light source:

Type	HID
35 Watt	3200 Lumen
25 Watt	1700 Lumen
After 1500 hours	75% or better
Light cone	variable: spot and flood